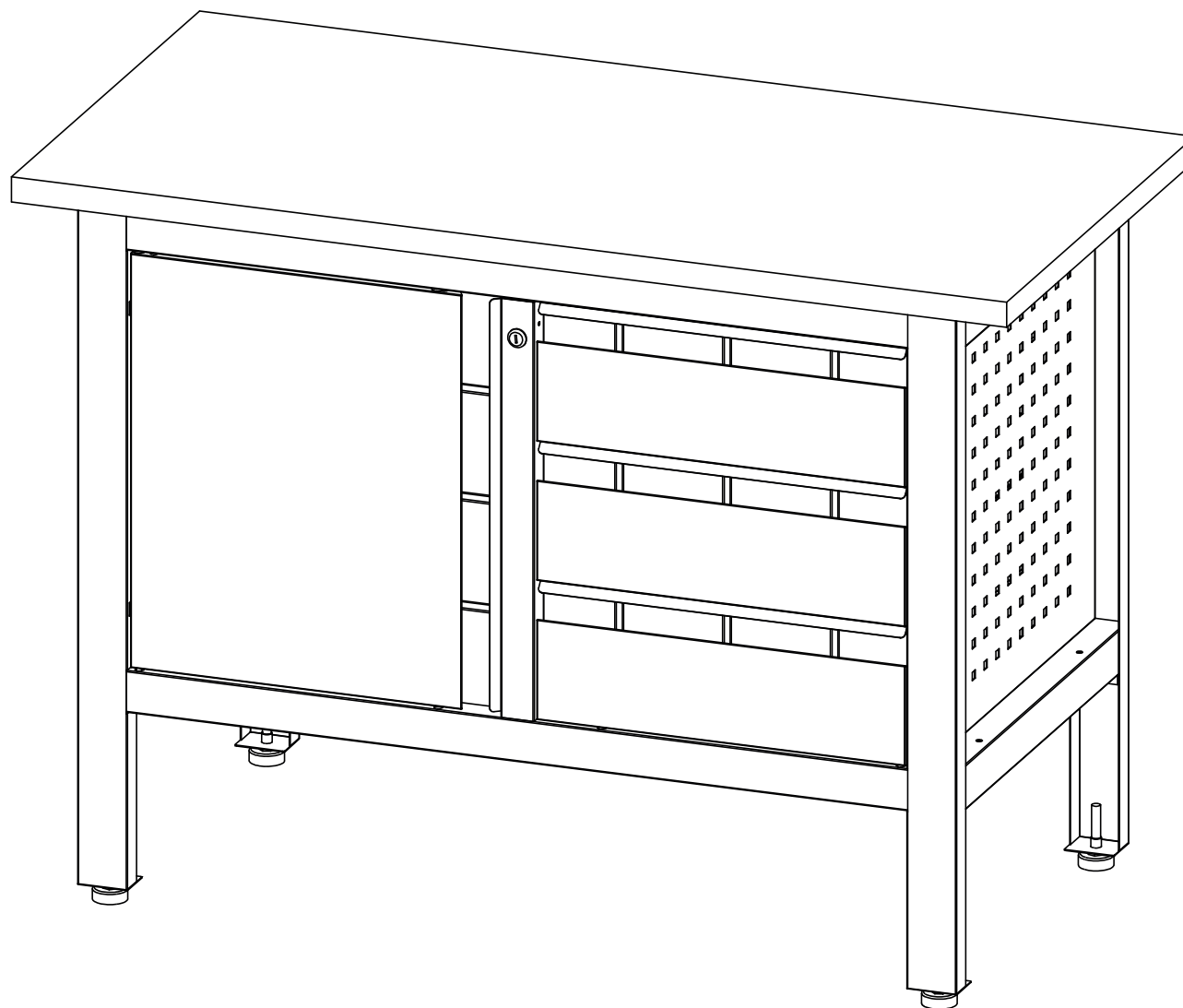


DÍLENSKÝ STŮL

GARLIST PROFESIONAL

***G*ARLIST**
PROFESSIONAL

GDS-010

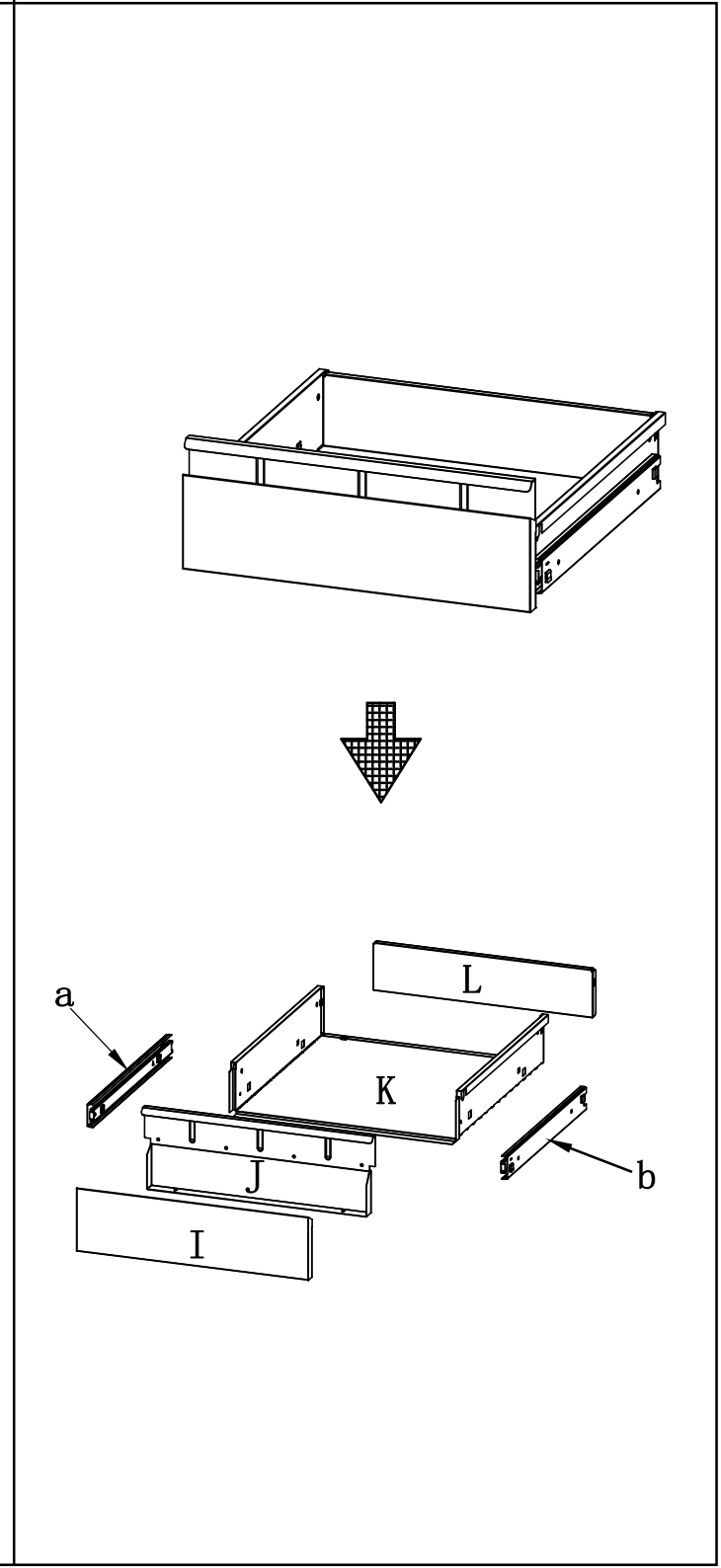
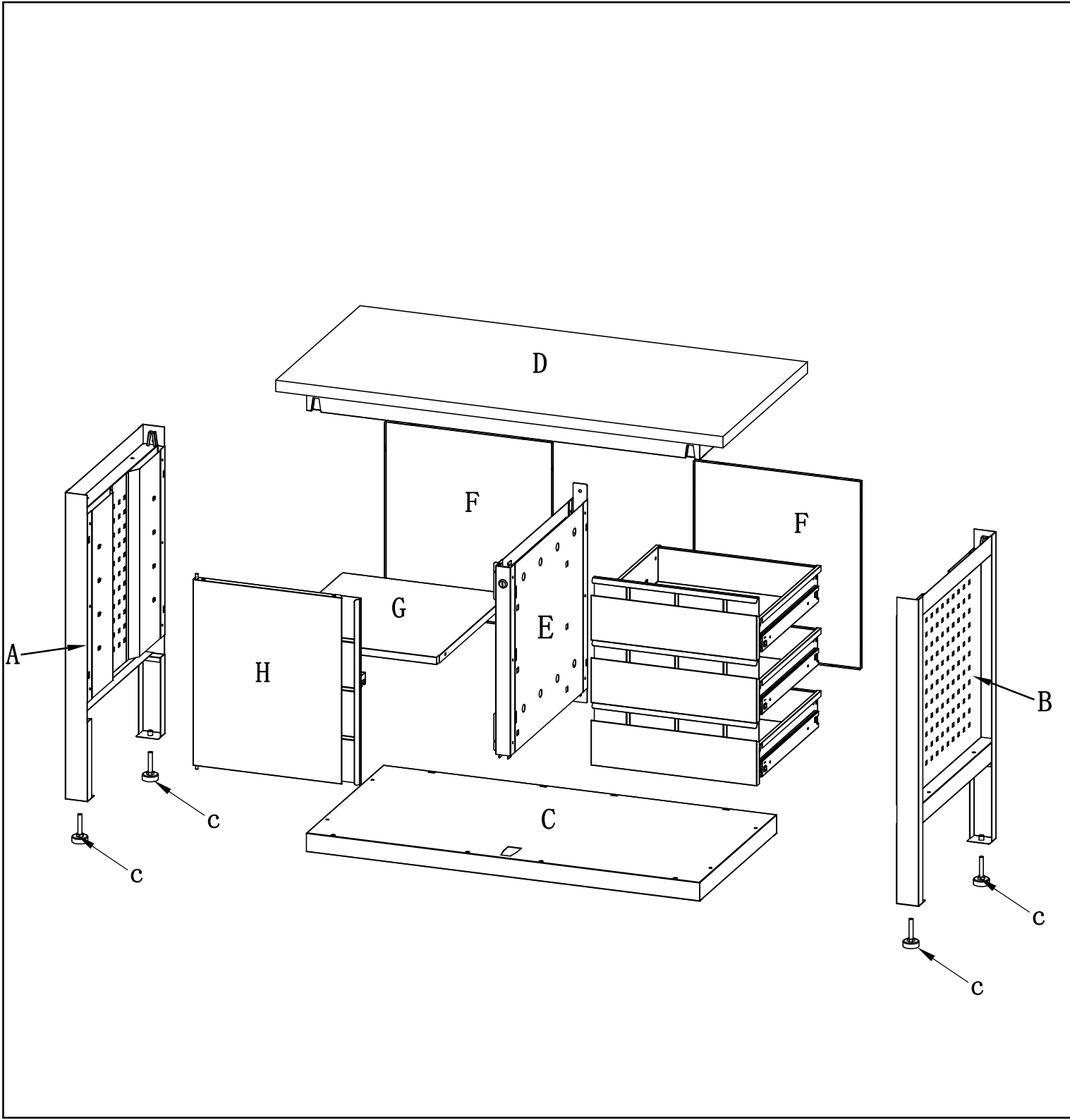


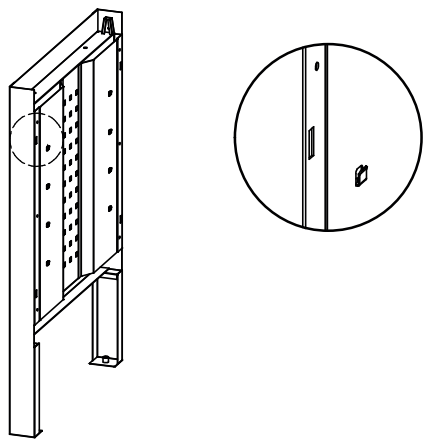
garlist.cz

garlist.sk

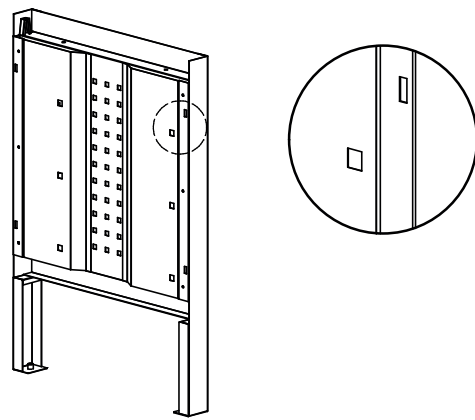
gargroup.cz

gargroup.sk

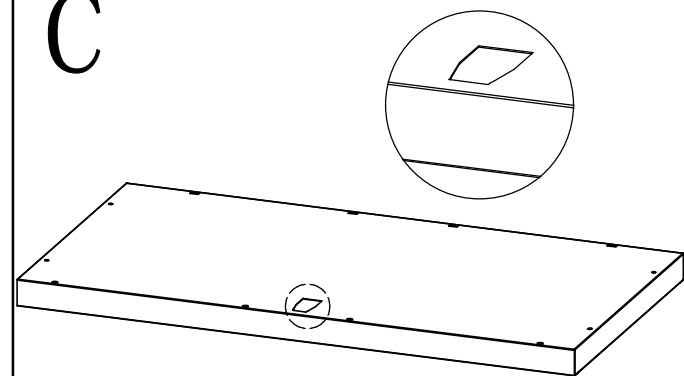


A

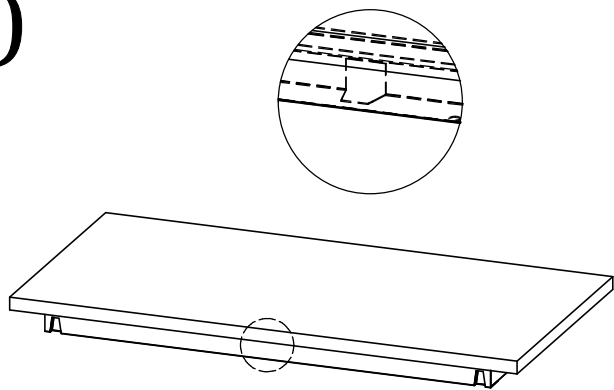
1Pc

B

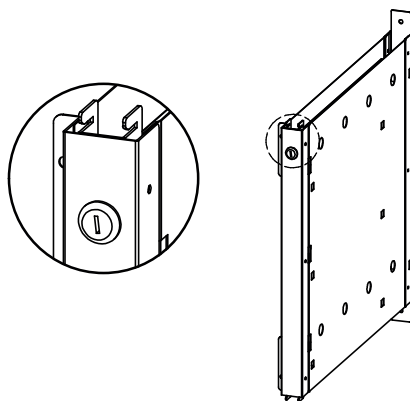
1Pc

C

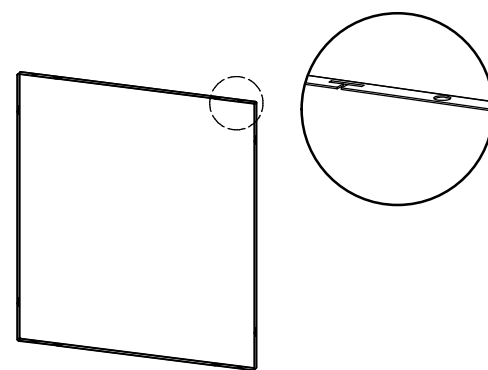
1Pc

D

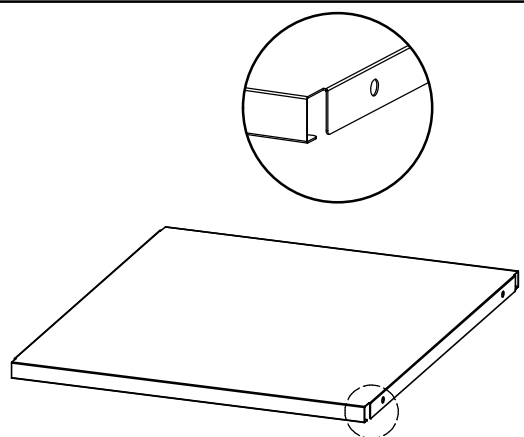
1Pc

E

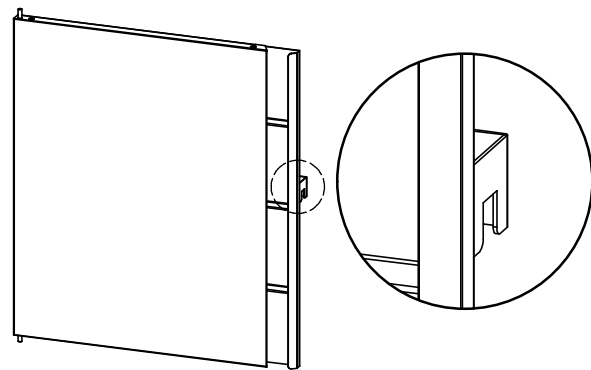
1Pc

F

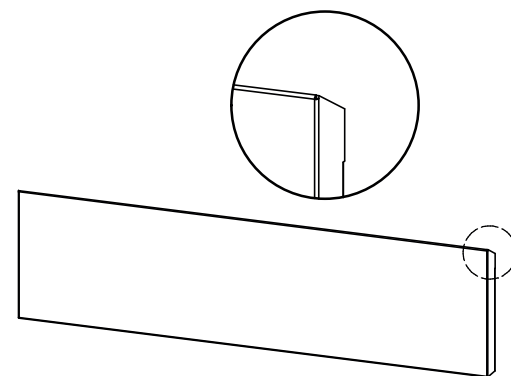
2Pcs

G

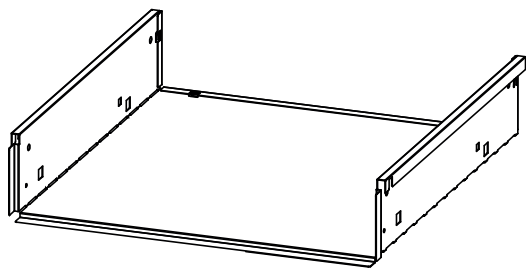
1Pc

H

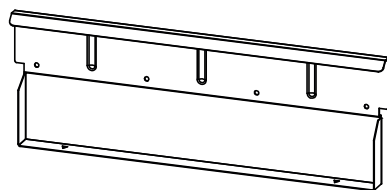
1Pc

I

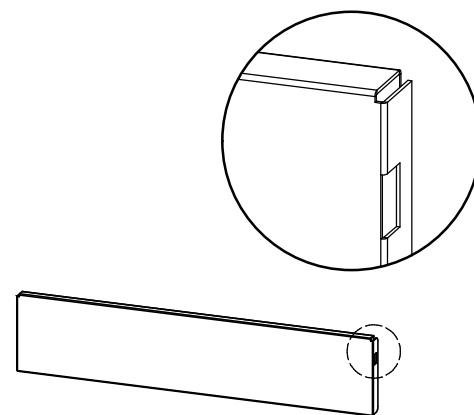
3Pcs

J

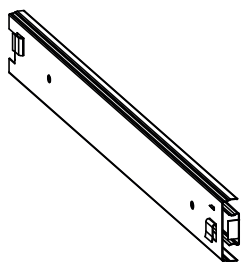
3Pcs

K

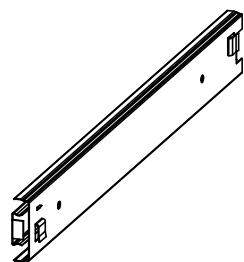
3Pcs

L

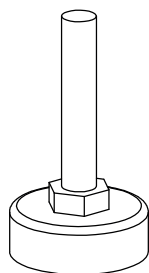
3Pcs

a

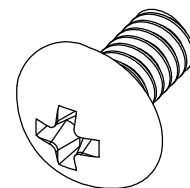
3Pcs

b

3Pcs

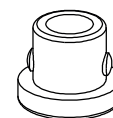
c

4Pcs

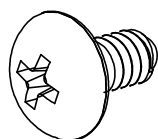
d

M5*10

10Pcs

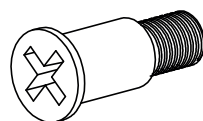
e

2Pcs

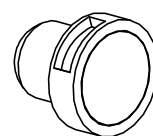
f

M4*8

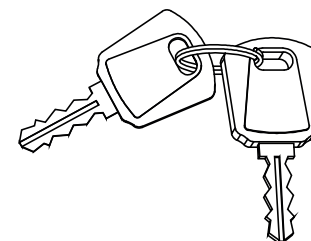
12Pcs

g

4Pcs

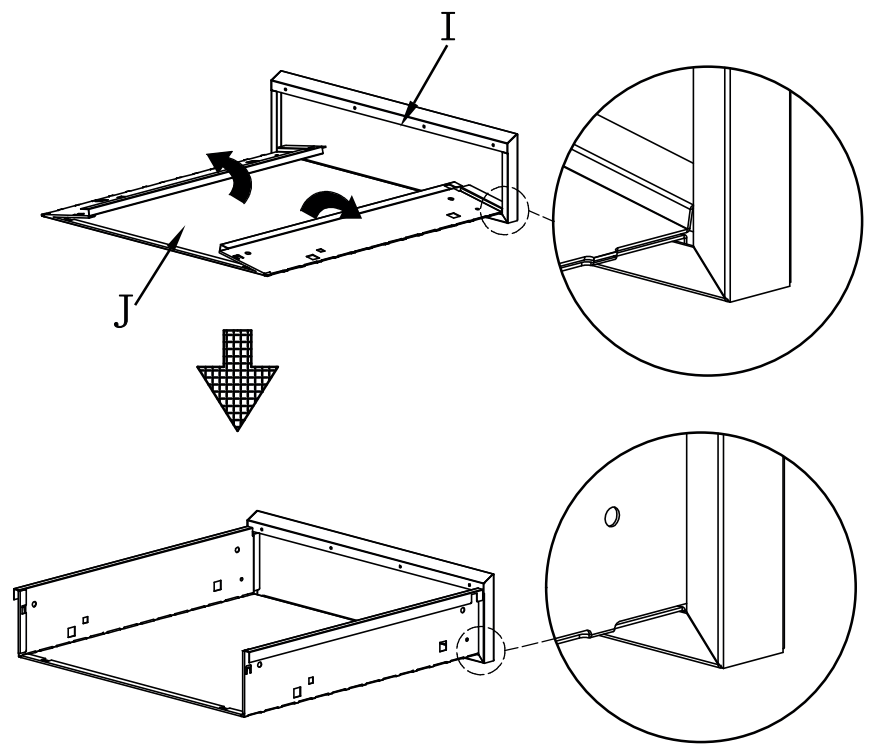
h

2Pcs

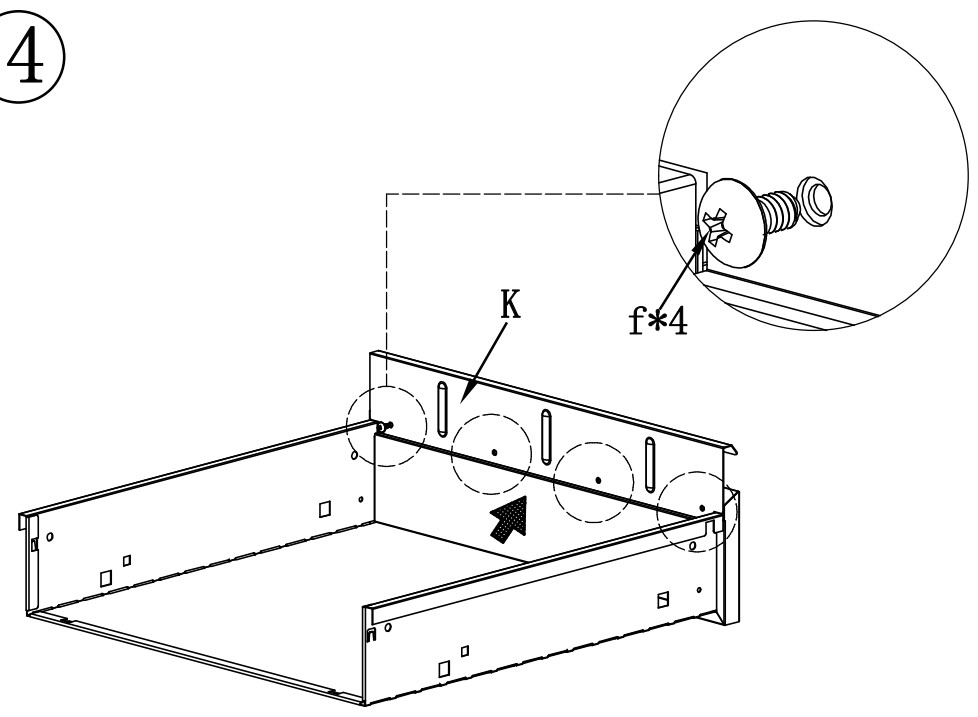
i

1Set

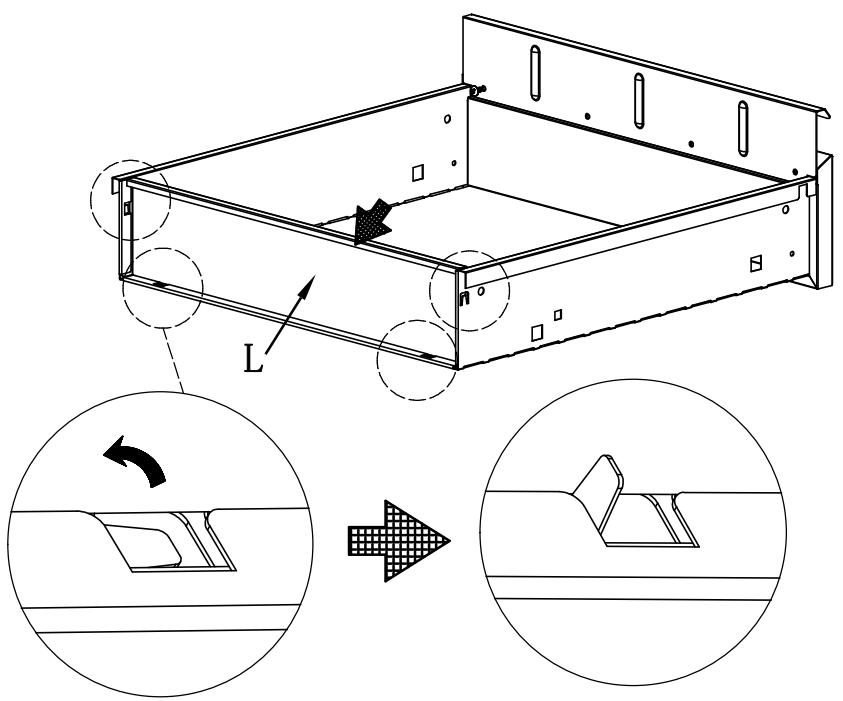
3



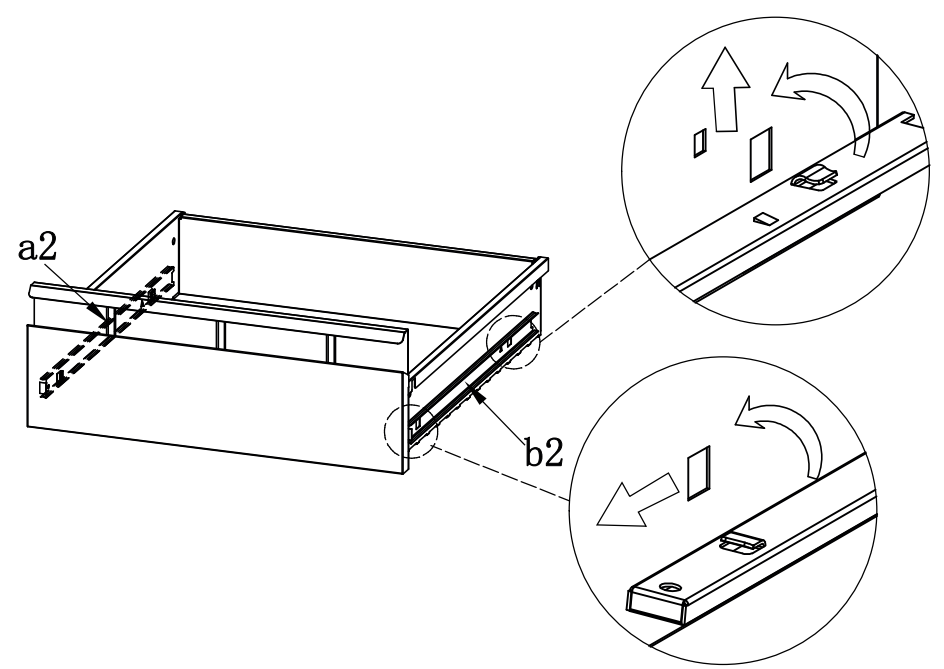
4



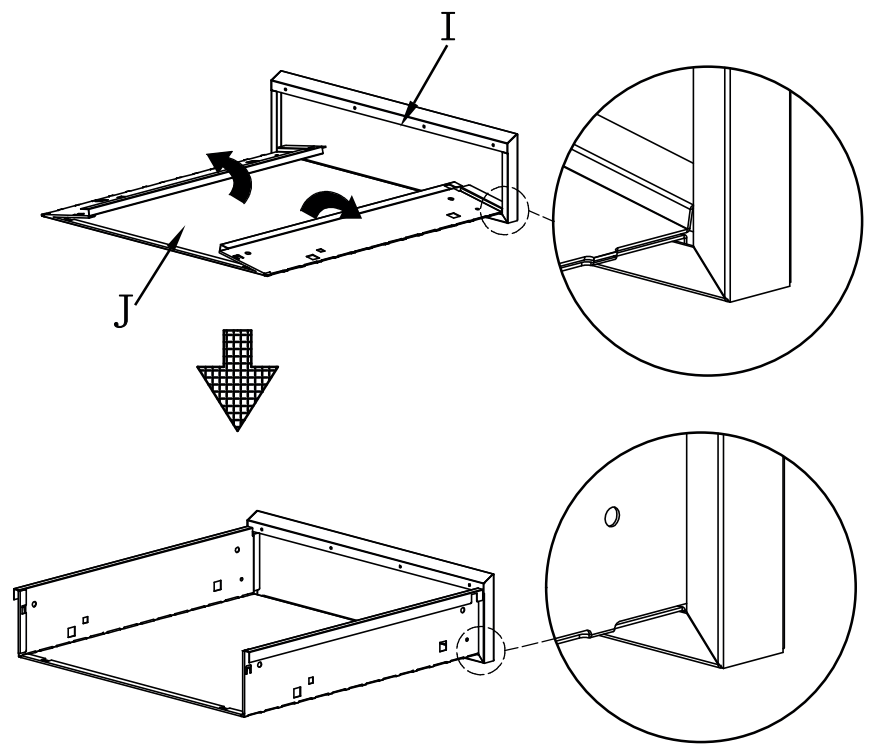
5



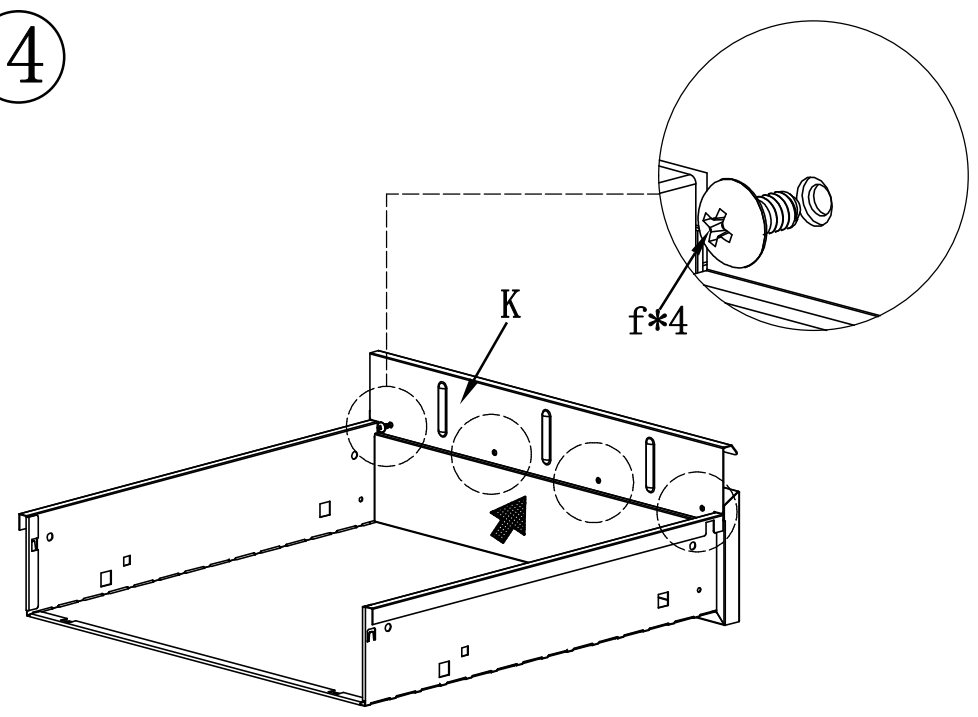
6



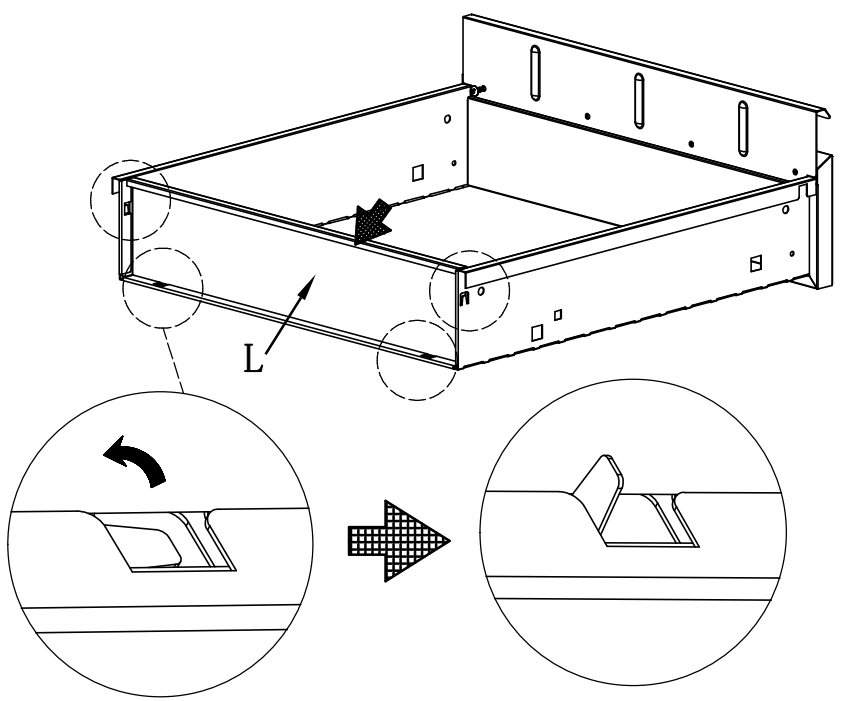
3



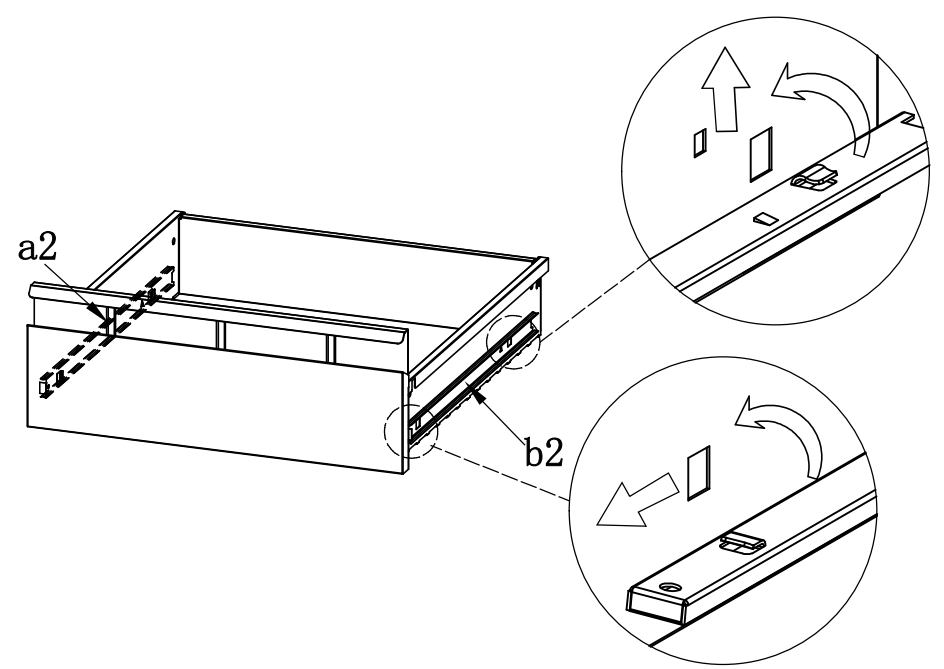
4



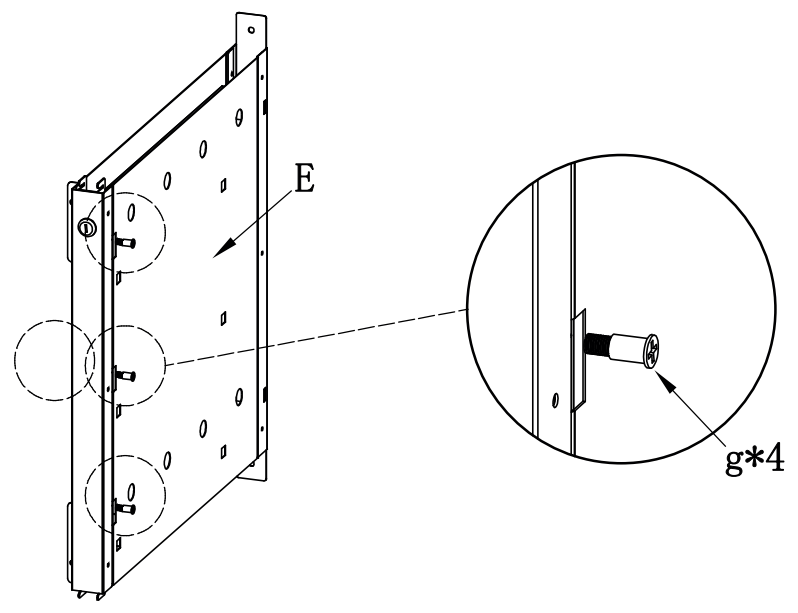
5



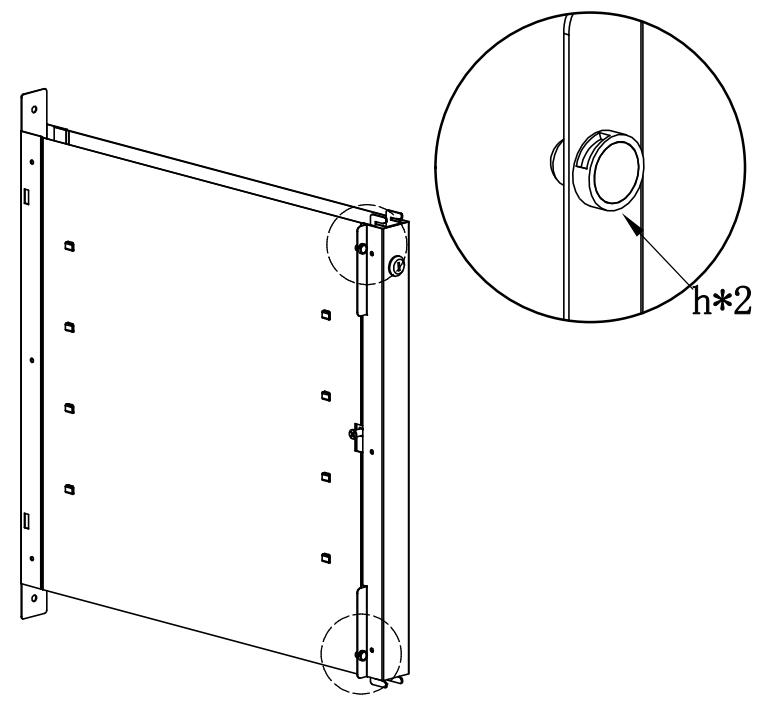
6



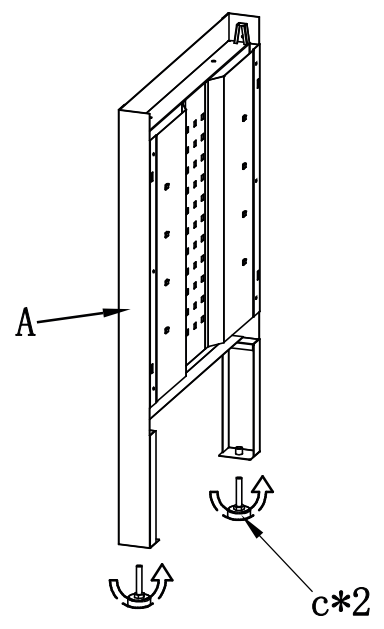
7



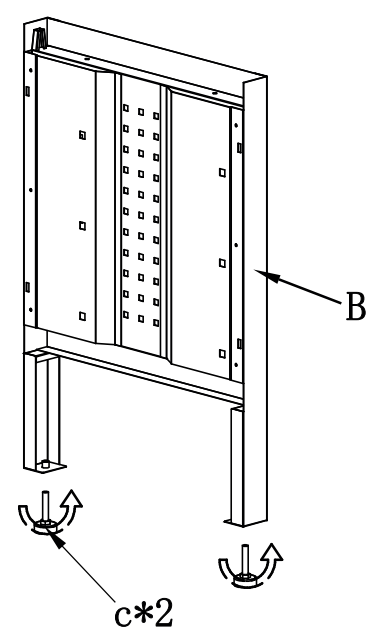
8



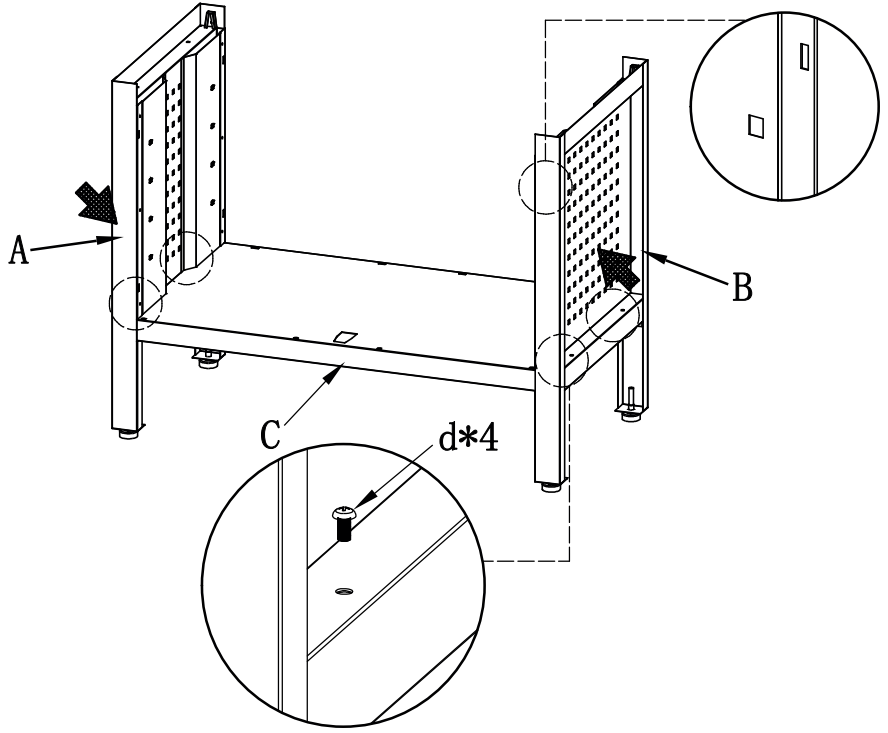
9



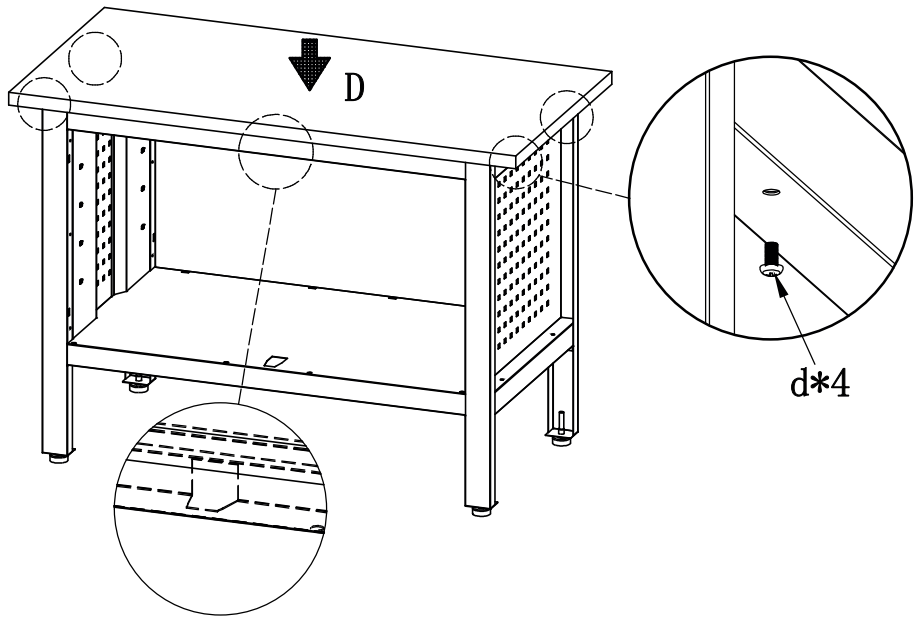
10



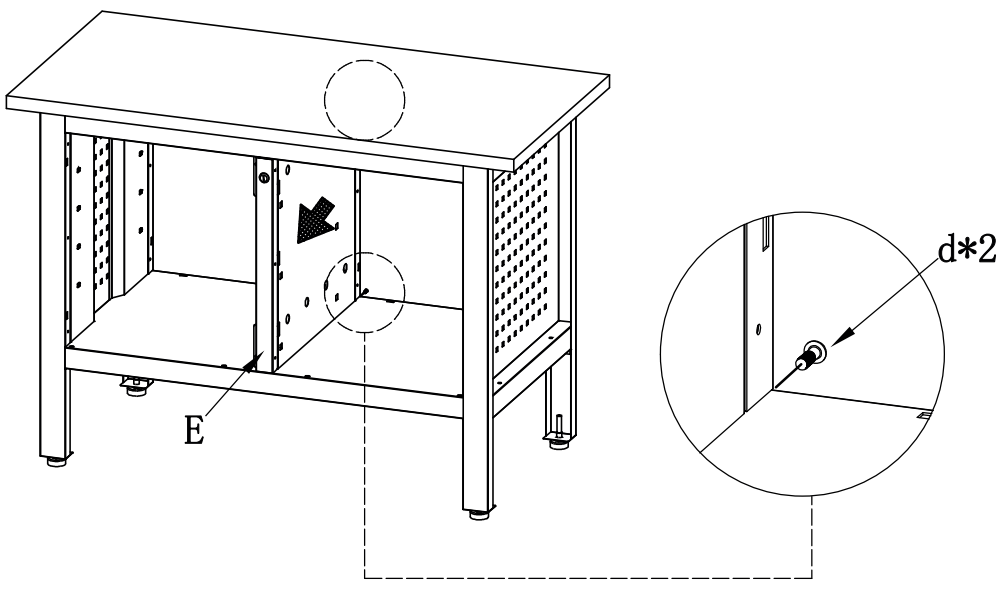
11



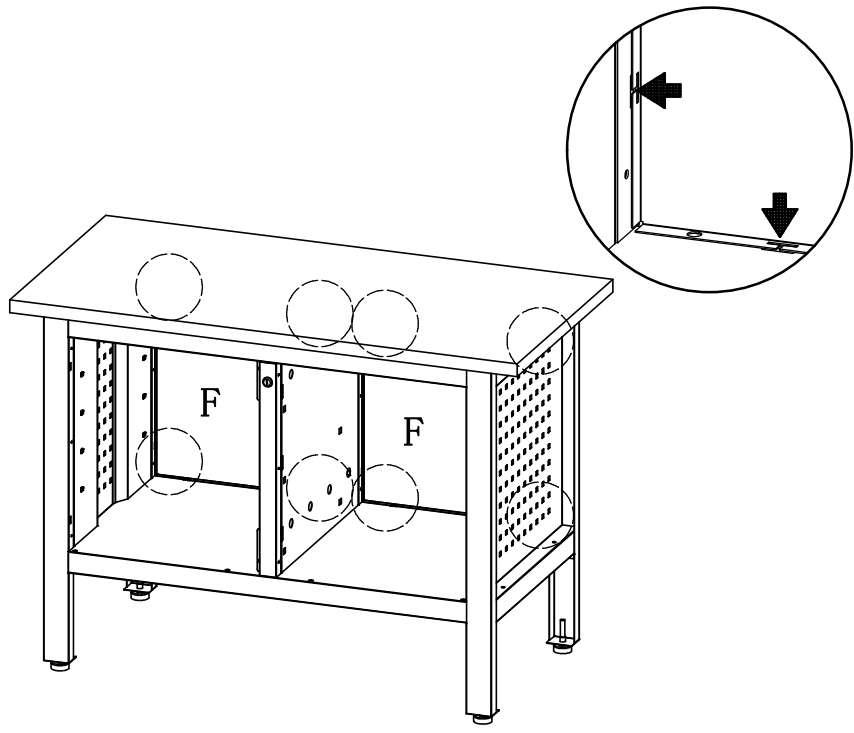
12



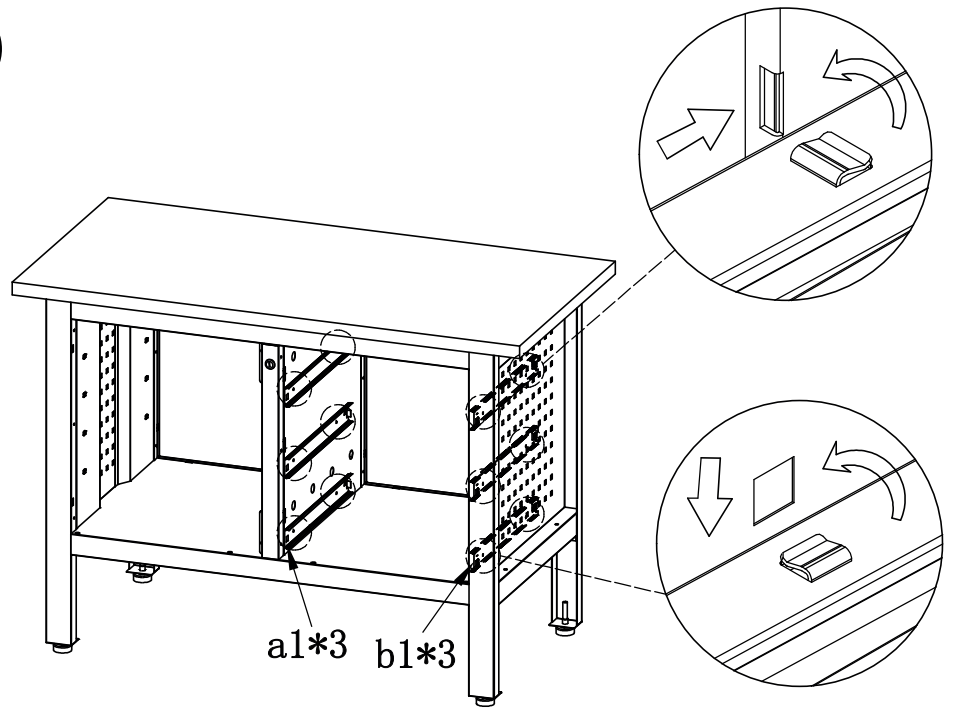
13



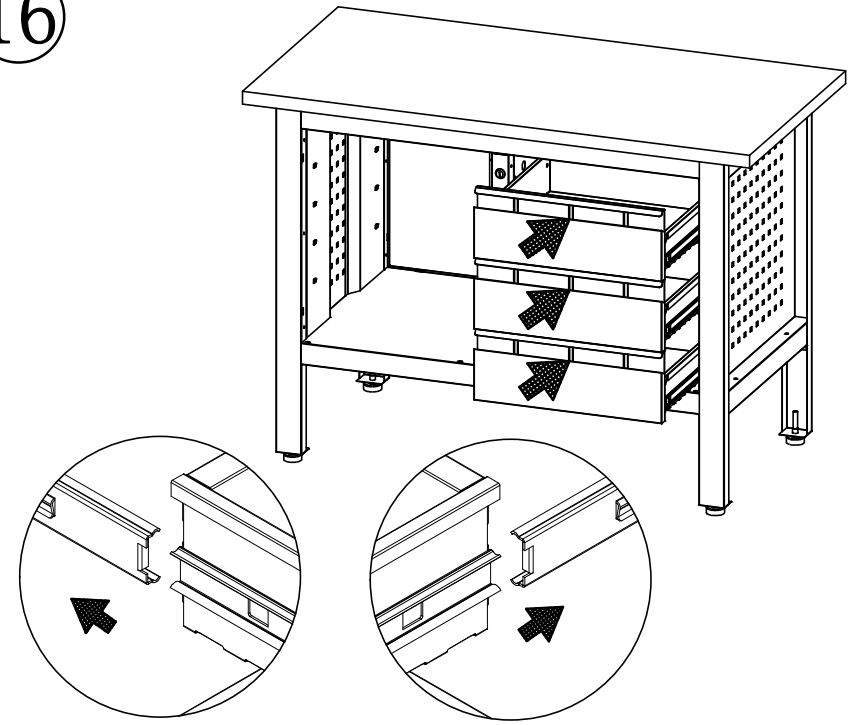
14



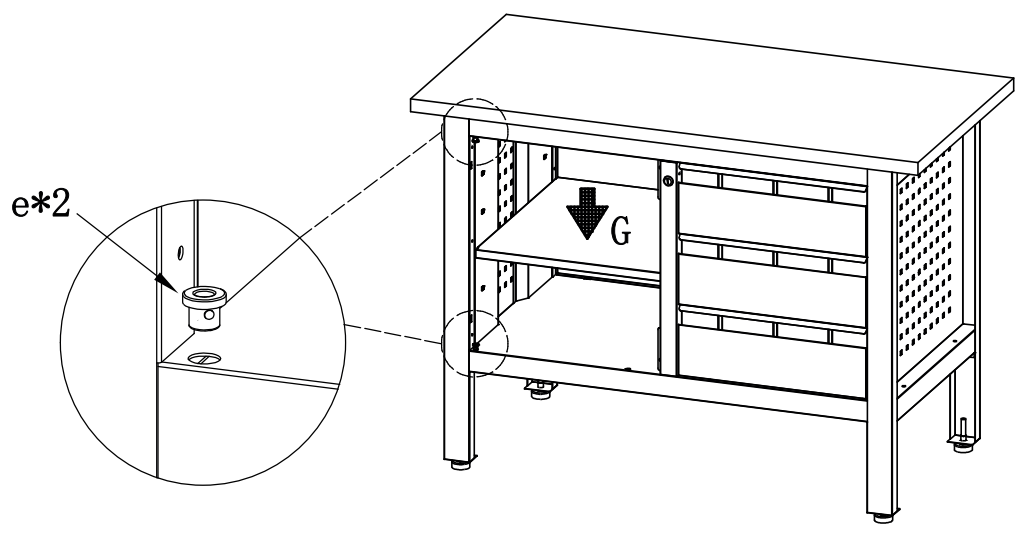
15



16



17



18

